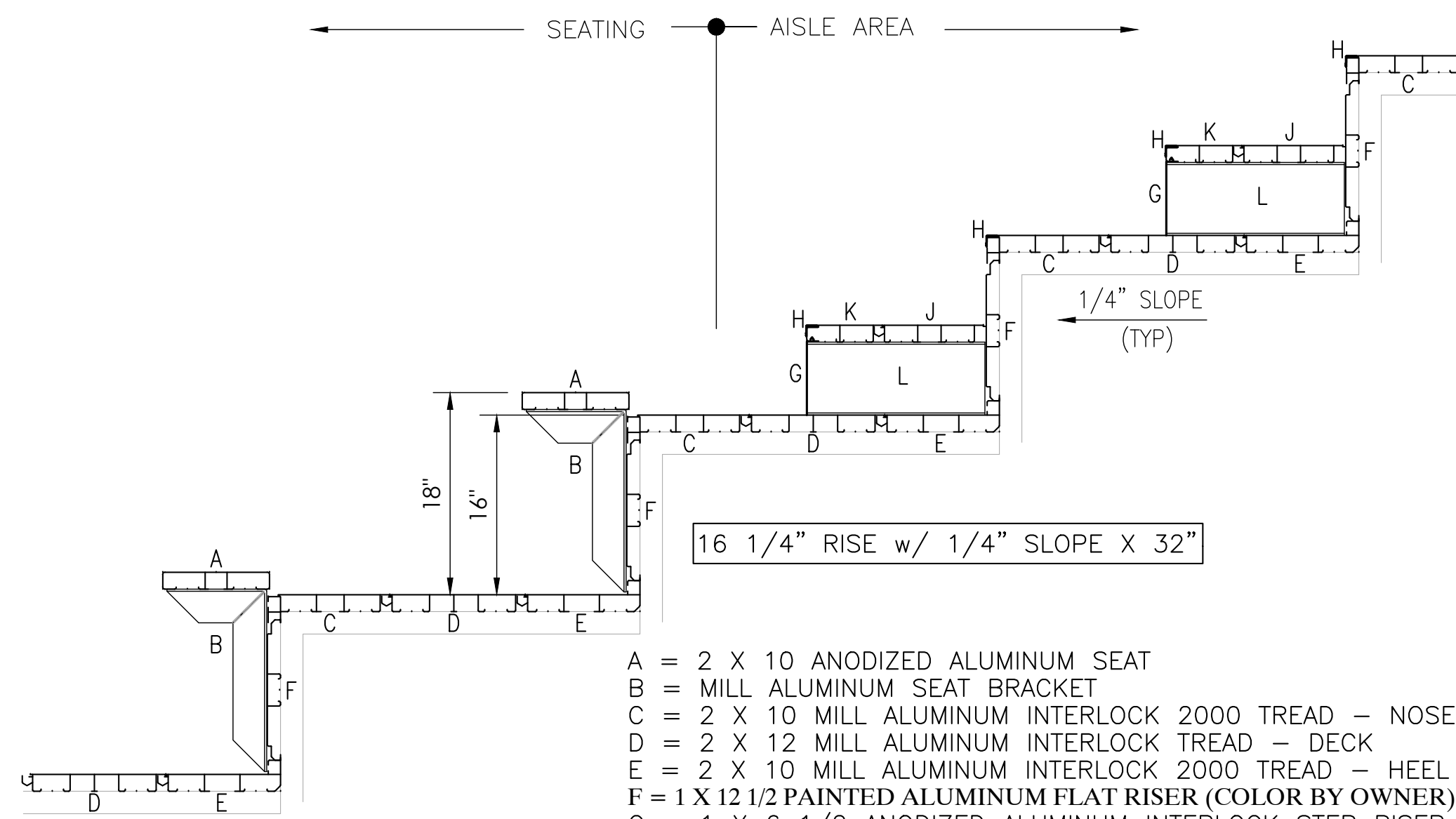


DESIGN LOADING

TREAD & SEAT AREA 100psf UNIFORM LIVE LOAD.
 SEAT (VERTICAL) 120 lbs/lf.
 SEAT (HORIZONTAL SWAY) 24lbs/lf PARALLEL AND 10lbs/lf PERPENDICULAR TO SEAT.
 HANDRAIL & GUARDRAIL 50 lbs/lf IN ANY DIRECTION.
 HANDRAIL & GUARDRAIL 200 lbs CONCENTRATED IN ANY DIRECTION.
 SNOW LOADS AS PER STATE ADOPTED CODE
 WIND LOADS AS PER STATE ADOPTED CODE
 SEISMIC LOADS AS PER STATE ADOPTED CODE

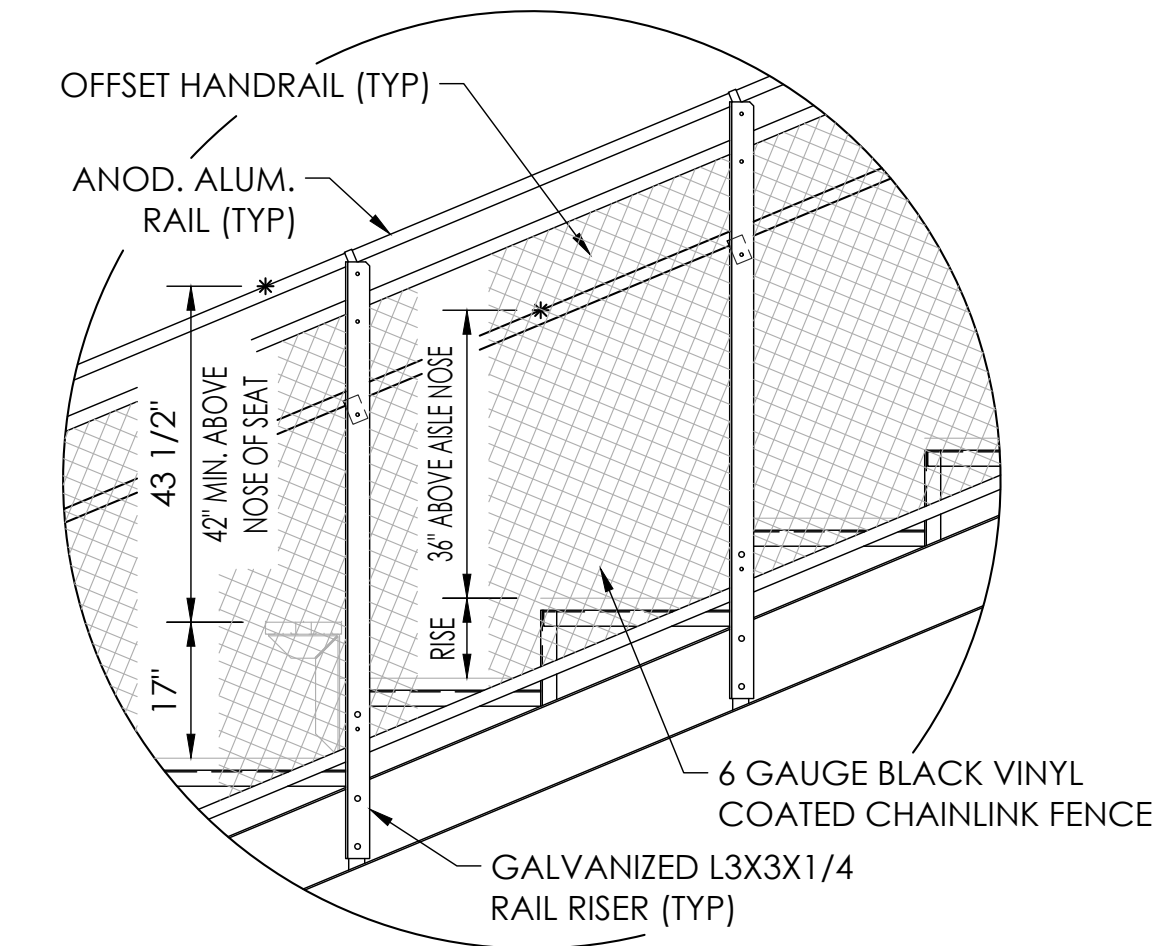
NOTES

- 1 ALL STRUCTURAL AND MISCELLANEOUS STEEL SHALL CONFORM TO THE FOLLOWING A.I.S.C. STANDARDS
 PLATE UP TO 1/2" THICK = A36
 PLATE U.N.O. = A572 GRADE 50
 ANGLE = A36/A36M GRADE 50
 WIDE FLANGE = A992 Fy=50 ksi
 CHANNEL = A36/A36M GRADE 50
 ROD = A36/A529 GRADE 50
 TUBE = A500 GRADE "B" 46 ksi
- 2 WELDS ARE ALL AROUND WITH TYPE ER70S-6 WIRE MIG.
- 3 ALL STEEL TO BE HOT DIPPED GALVANIZED TO A.S.T.M. A-123-89 ae1.
- 4 STRUCTURAL BOLTS ARE HOT DIPPED GALV. AND ARE EQUAL TO OR GREATER THAN A-307.
- 5 NO CONNECTIONS UTILIZING HIGH STRENGTH BOLTS ARE CLASSED AS SLIP CRITICAL.
- 6 ANODIZED ALUMINUM RAIL IS 1 1/4" NOMINAL PIPE SIZE. (1 5/8" O.D.)
- 7 SOUTHERN BLEACHER COMPANY AS A MANUFACTURER AND INSTALLER OF GRANDSTAND SEATING IS NOT AUTHORIZED TO CERTIFY PLANS AS ADA COMPLIANT. HOWEVER, TO THE BEST OF OUR KNOWLEDGE THESE PLANS MEET OR EXCEED ADA REQUIREMENTS FOR QUANTITY OF ADA SEATING, ACCESS/EGRESS TO ADA SEATING, & DISPERSAL OF ADA SEATING.

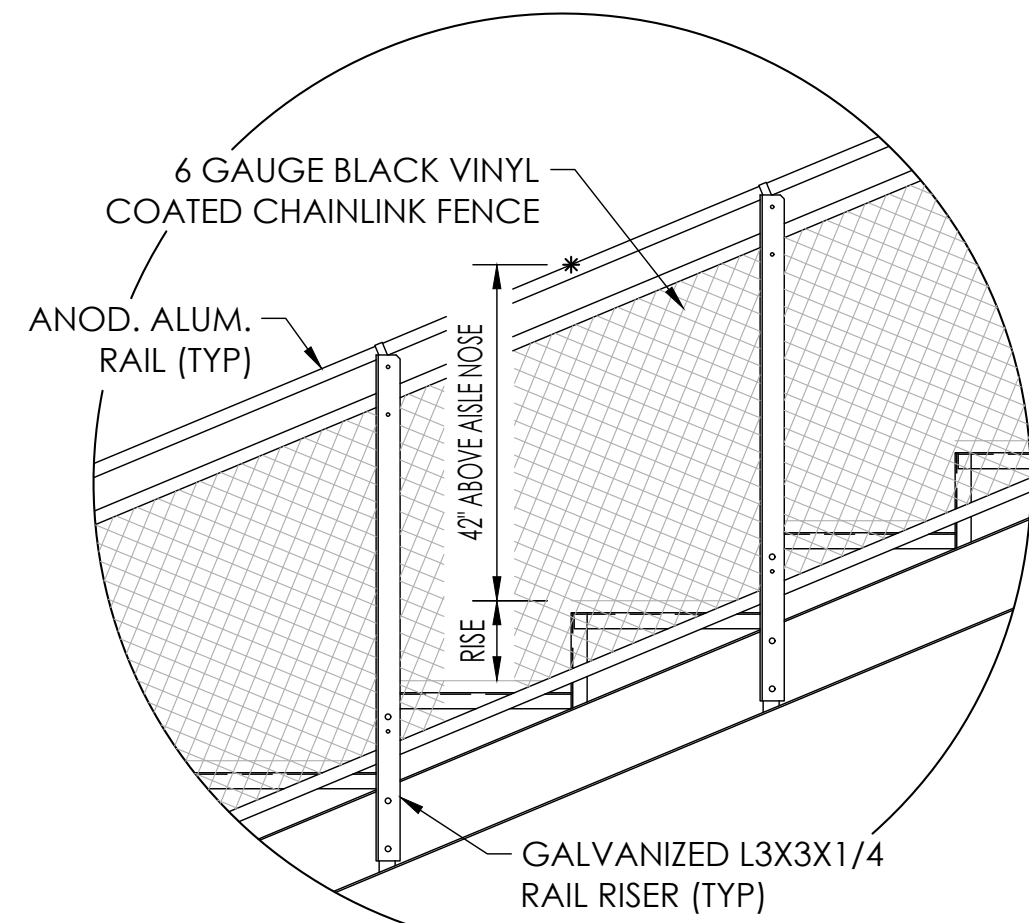


A = 2 X 10 ANODIZED ALUMINUM SEAT
 B = MILL ALUMINUM SEAT BRACKET
 C = 2 X 10 MILL ALUMINUM INTERLOCK 2000 TREAD - NOSE
 D = 2 X 12 MILL ALUMINUM INTERLOCK TREAD - DECK
 E = 2 X 10 MILL ALUMINUM INTERLOCK 2000 TREAD - HEEL
 F = 1 X 12 1/2 PAINTED ALUMINUM FLAT RISER (COLOR BY OWNER)
 G = 1 X 6 1/2 ANODIZED ALUMINUM INTERLOCK STEP RISER
 H = 1 X 1 PAINTED ALUMINUM CONTRASTING NOSING (BLACK)
 J = 2 X 9 MILL ALUM. INTERLOCK HALFSTEP - DECK
 K = 2 X 7 MILL ALUM. INTERLOCK HALFSTEP - NOSE
 L = 6 1/2" MILL ALUMINUM HALFSTEP BRACKET

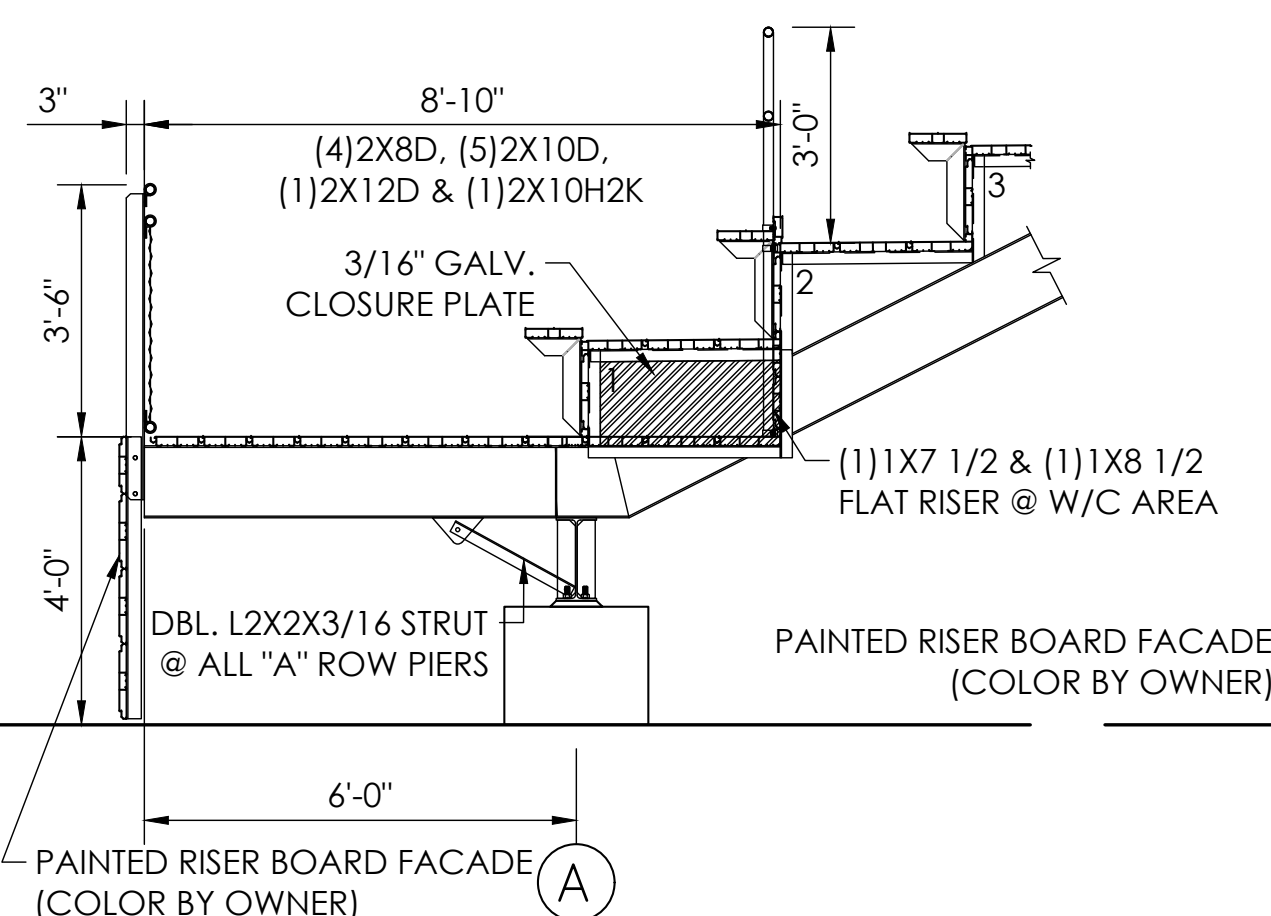
PLANK ARRANGEMENT
 NOT TO SCALE 16" X 32"



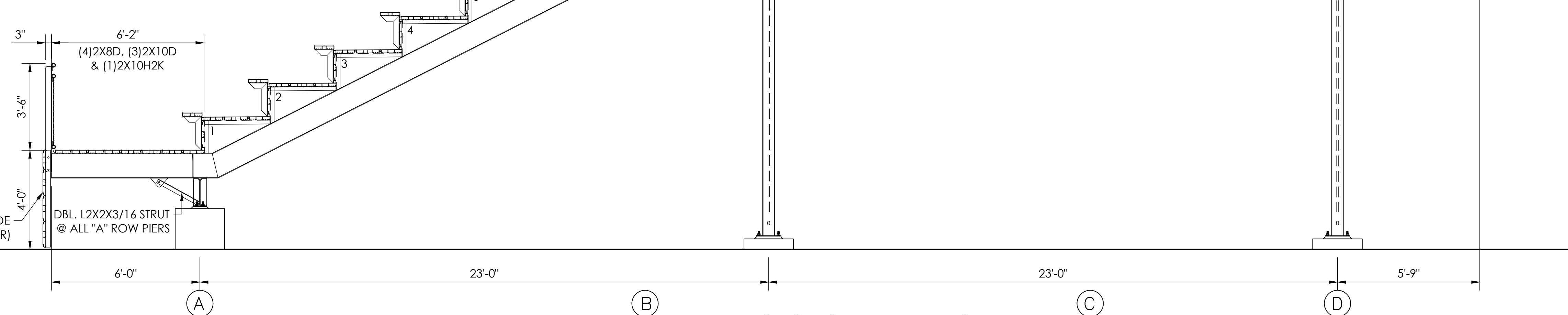
SIDE RAILING @ END AISLE
 NOT TO SCALE



SIDE RAILING @ PORTAL AISLES
 NOT TO SCALE



SECTION VIEW @ W/C AREA - HOME
 SCALE: 3/8" = 1'-0"



SECTION VIEW - HOME
 SCALE: 3/8" = 1'-0"

NOT FOR CONSTRUCTION

SOUTHERN BLEACHER COMPANY
 PO Box One, Graham, Texas 76450
 801 Fifth Street
 Phone: 940/549-0733 Fax: 940/549-1365
 ESTABLISHED 1946

SECTION VIEW - HOME	16 1/4" RISE X 32" TREAD / 20 ROWS
PROJECT	GREENWICH HIGH SCHOOL
DATE	CARDINAL STADIUM
DRAWN	GREENWICH, CONNECTICUT
CHECKED	
DATE	8/7/18
JOB NUMBER	18SD171
SHEET	1 OF 10

22 X 34" (1/4" = 1/2" indicated scale)

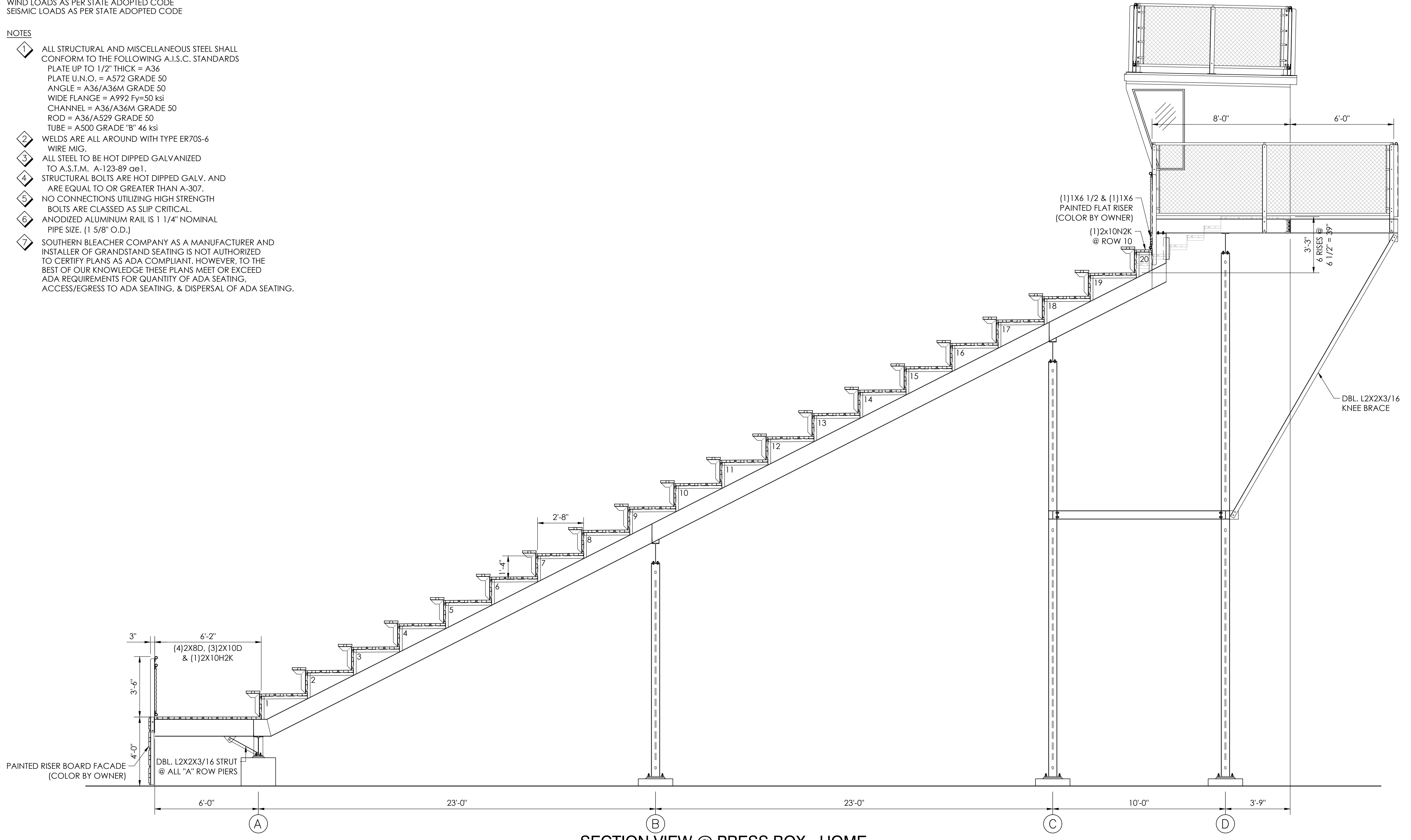
No

DESIGN LOADING

TREAD & SEAT AREA 100psf UNIFORM LIVE LOAD.
 SEAT (VERTICAL) 120 lbs/lf.
 SEAT (HORIZONTAL SWAY) 24lbs/lf PARALLEL AND 10lbs/lf PERPENDICULAR TO SEAT.
 HANDRAIL & GUARDRAIL 50 lbs/lf IN ANY DIRECTION.
 HANDRAIL & GUARDRAIL 200 lbs CONCENTRATED IN ANY DIRECTION.
 SNOW LOADS AS PER STATE ADOPTED CODE
 WIND LOADS AS PER STATE ADOPTED CODE
 SEISMIC LOADS AS PER STATE ADOPTED CODE

NOTES

- 1 ALL STRUCTURAL AND MISCELLANEOUS STEEL SHALL CONFORM TO THE FOLLOWING A.I.S.C. STANDARDS
 PLATE UP TO 1/2" THICK = A36
 PLATE U.N.O. = A572 GRADE 50
 ANGLE = A36/A36M GRADE 50
 WIDE FLANGE = A992 Fy=50 ksi
 CHANNEL = A36/A36M GRADE 50
 ROD = A36/A529 GRADE 50
 TUBE = A500 GRADE "B" 46 ksi
- 2 WELDS ARE ALL AROUND WITH TYPE ER70S-6 WIRE MIG.
- 3 ALL STEEL TO BE HOT DIPPED GALVANIZED TO A.S.T.M. A-123-89 ae1.
- 4 STRUCTURAL BOLTS ARE HOT DIPPED GALV. AND ARE EQUAL TO OR GREATER THAN A-307.
- 5 NO CONNECTIONS UTILIZING HIGH STRENGTH BOLTS ARE CLASSED AS SLIP CRITICAL.
- 6 ANODIZED ALUMINUM RAIL IS 1 1/4" NOMINAL PIPE SIZE. (1 5/8" O.D.)
- 7 SOUTHERN BLEACHER COMPANY AS A MANUFACTURER AND INSTALLER OF GRANDSTAND SEATING IS NOT AUTHORIZED TO CERTIFY PLANS AS ADA COMPLIANT. HOWEVER, TO THE BEST OF OUR KNOWLEDGE THESE PLANS MEET OR EXCEED ADA REQUIREMENTS FOR QUANTITY OF ADA SEATING, ACCESS/EGRESS TO ADA SEATING, & DISPERSAL OF ADA SEATING.



SECTION VIEW @ PRESS BOX - HOME
 SCALE: 3/8" = 1'-0"

DETAIL NUMBER
103
 SHEET SHOWN ON
 SHEET CUT FROM

NOT FOR CONSTRUCTION

Southern
 BLEACHER COMPANY
GRANDSTANDS • BLEACHERS • STADIUMS

PO Box One, Graham, Texas 76450
 801 Fifth Street.
 Phone: 940/549-0733 Fax: 940/549-1365
 Established 1946

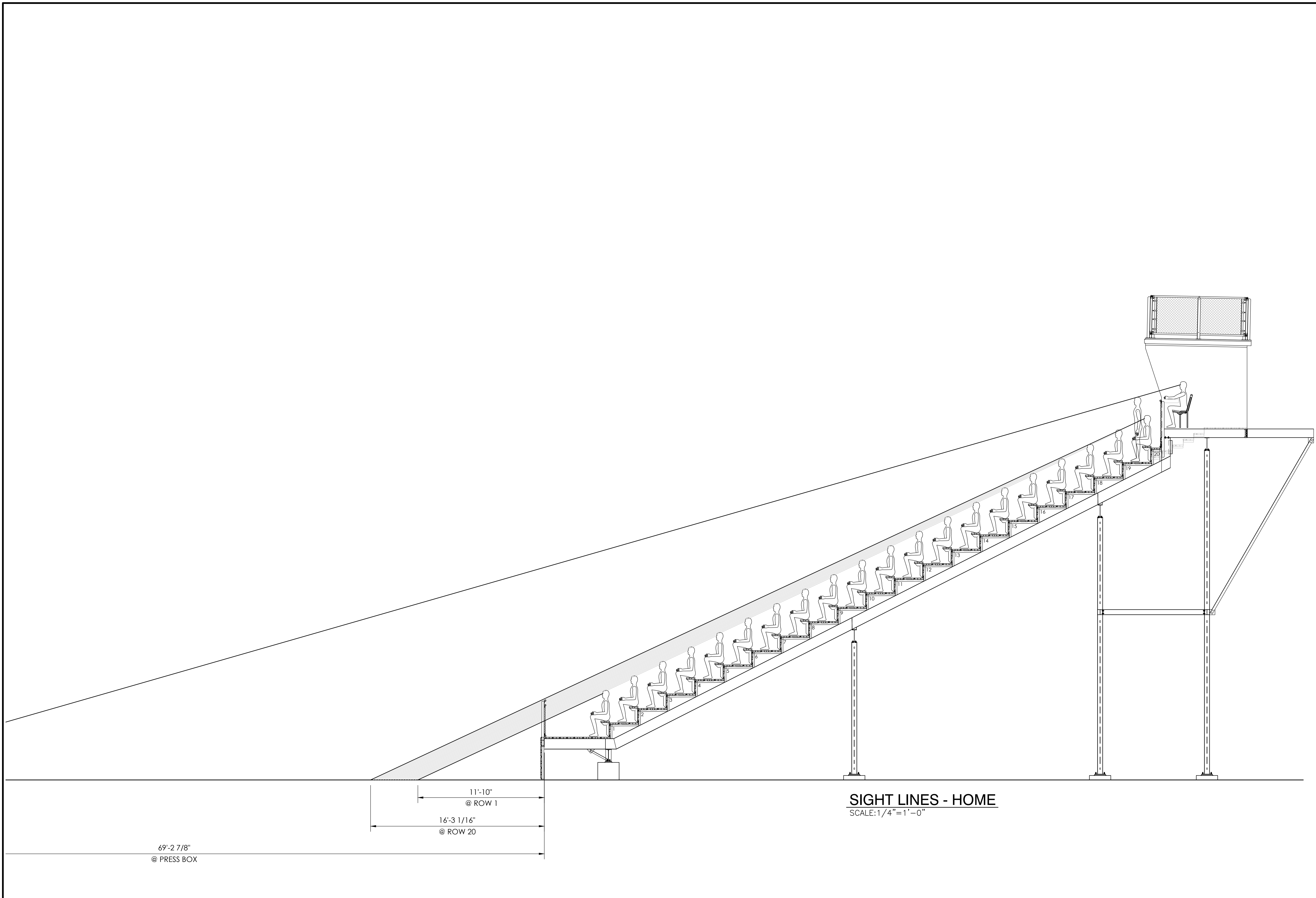
SECTION VIEW @ PRESS BOX - HOME
 16 1/4" RISE X 32" TREAD / 20 ROWS

GREENWICH HIGH SCHOOL
 CARDINAL STADIUM
 GREENWICH, CONNECTICUT

REV	BY	DATE	DESCRIPTION

DATE: 8/7/18
 JOB NUMBER: 18SD171
 DRAWN: WMS
 CHECKED: CC

22' X 34' (1'x17" = 1/2" indicated scale)



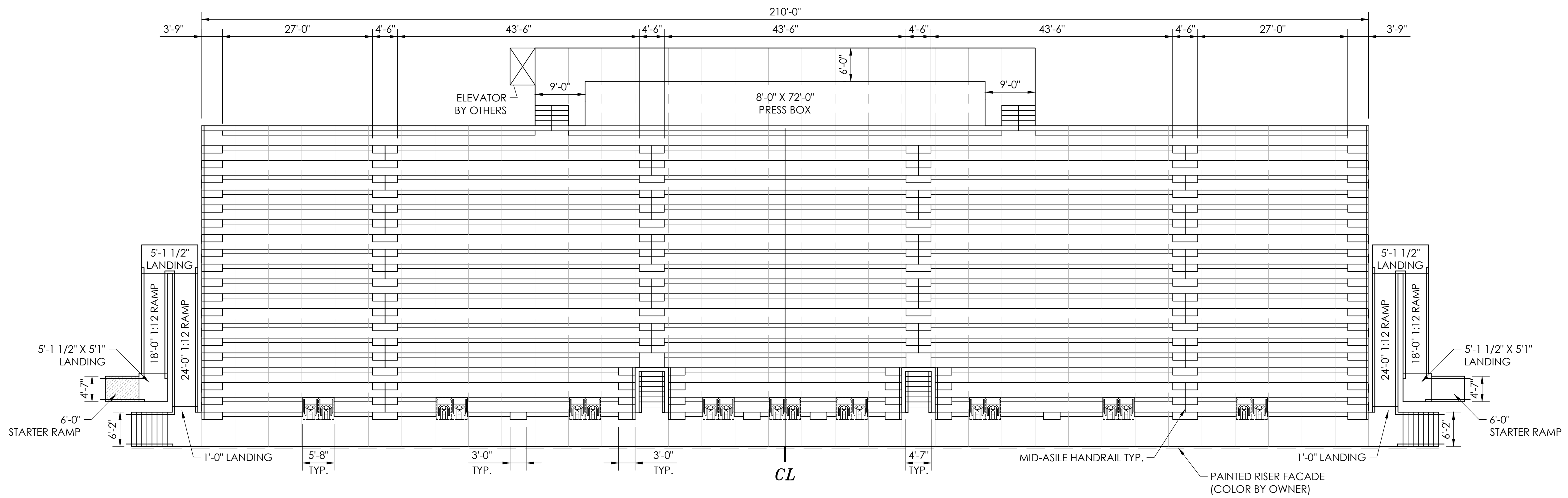
SIGHT LINES - HOME
SCALE: 1/4" = 1'-0"

69'-2 7/8"
@ PRESS BOX

11'-10"
@ ROW 1
16'-3 1/16"
@ ROW 20

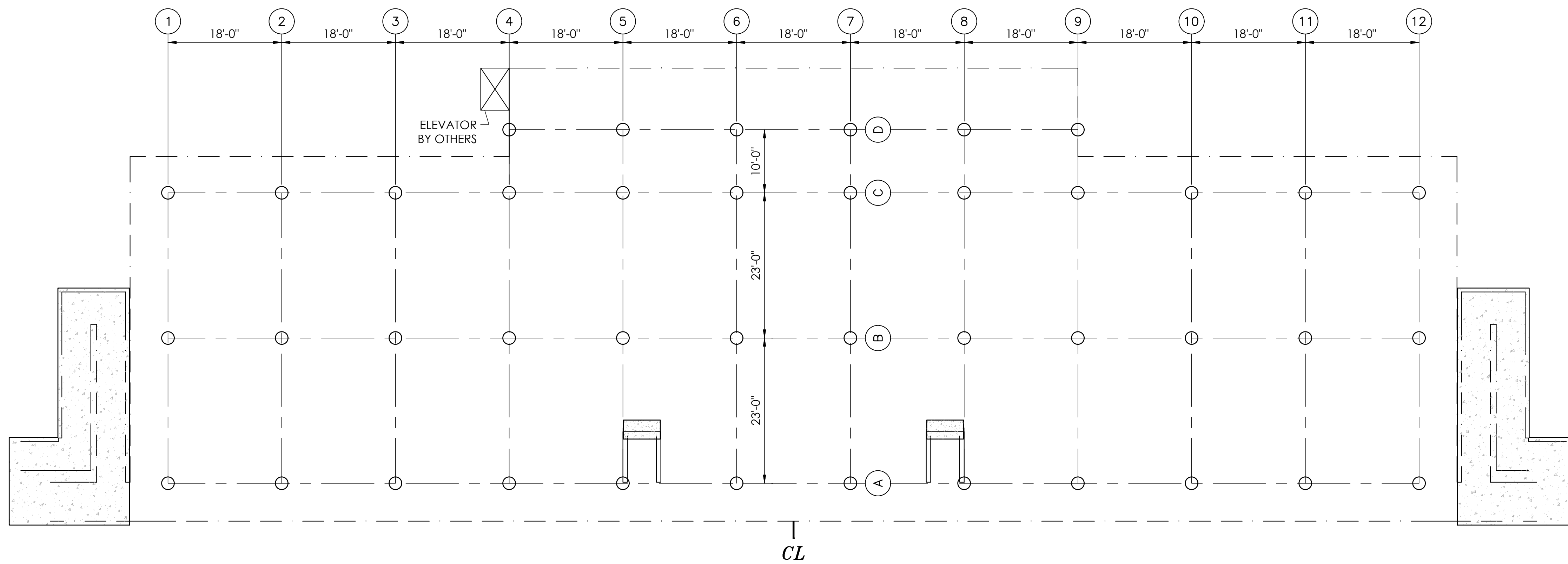
		DETAIL NUMBER 1-3/10 SHEET SHOWN ON SHEET CUT FROM
<p>NOT FOR CONSTRUCTION</p> <p>Southern BLEACHER COMPANY GRANDSTANDS • BLEACHERS • STADIUMS</p> <p>PO Box One, Graham, Texas 76450 801 Fifth Street Phone: 940/549-0733 Fax: 940/549-1365 Established 1946</p>		
THE SIGHT LINES - HOME 16 1/4" RISE X 32" TREAD / 20 ROWS	THE GREENWICH HIGH SCHOOL CARDINAL STADIUM GREENWICH, CONNECTICUT	THIS DRAWING AND ALL INFORMATION THEREON IS THE PROPERTY OF THE SOUTHERN BLEACHER COMPANY AND IS CONFIDENTIAL AND MUST NOT BE MADE PUBLIC OR COPIED. THIS DRAWING IS LOANED SUBJECT TO RETURN UPON DEMAND AND, IS NOT TO BE USED DIRECTLY OR INDIRECTLY IN ANY WAY DETRIMENTAL TO OUR INTERESTS.
REVISIONS DATE DESCRIPTION 8/7/18 WMS CC	JOB NUMBER 18SD171	SHEET 3 OF 10

22 X 34" (1 X 17" = 1/2" indicated scale)



SEATING LAYOUT - HOME
SCALE: 3/32" = 1'-0"

2335 TOTAL NET 18" SEATS
18 TOTAL NET 33" WHEELCHAIR SPACES
2353 TOTAL SEATING CAPACITY



FOOTING LAYOUT - HOME
SCALE: 3/32" = 1'-0"

NOT FOR CONSTRUCTION

DETAIL NUMBER 10
SHEET SHOWN ON 3
SHEET CUT FROM

THIS DRAWING AND ALL INFORMATION THEREON IS THE PROPERTY OF THE SOUTHERN BLEACHER COMPANY AND IS CONFIDENTIAL AND MUST NOT BE MADE PUBLIC OR COPIED. THIS DRAWING IS LOANED SUBJECT TO RETURN UPON DEMAND AND IS NOT TO BE USED DIRECTLY OR INDIRECTLY IN ANY WAY DETRIMENTAL TO OUR INTERESTS.

PO Box One, Graham, Texas 76450
801 Fifth Street
Phone: 940/549-0733 Fax: 940/549-1365
Established 1946

Southern
BLEACHER COMPANY
GRANDSTANDS • BLEACHERS • STADIUMS

SEATING / FOOTING LAYOUT - HOME
32' TREAD X 20 ROWS / 210'-0" LENGTH

GREENWICH HIGH SCHOOL
CARDINAL STADIUM
GREENWICH, CONNECTICUT

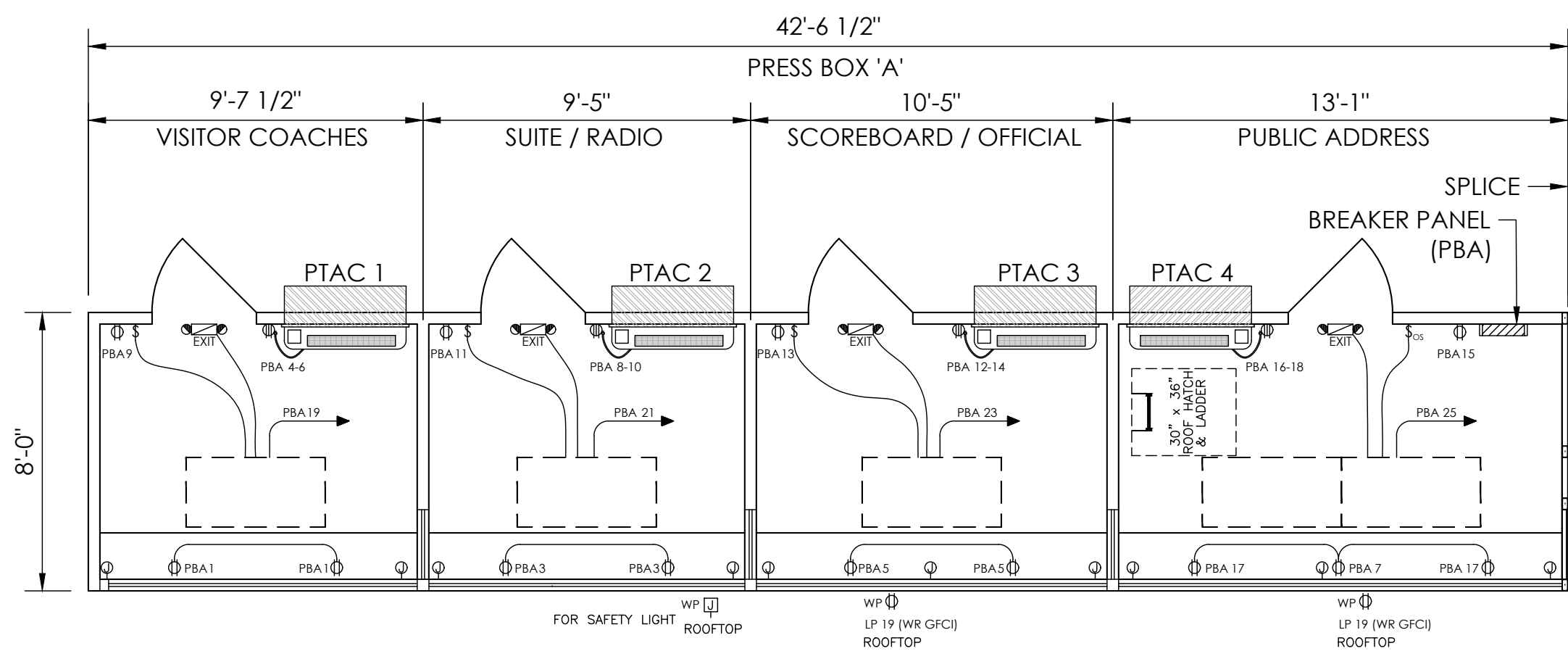
REV	DATE	DESCRIPTION

DATE: 8/7/18
DRAWN: WMS
CHECKED: CC

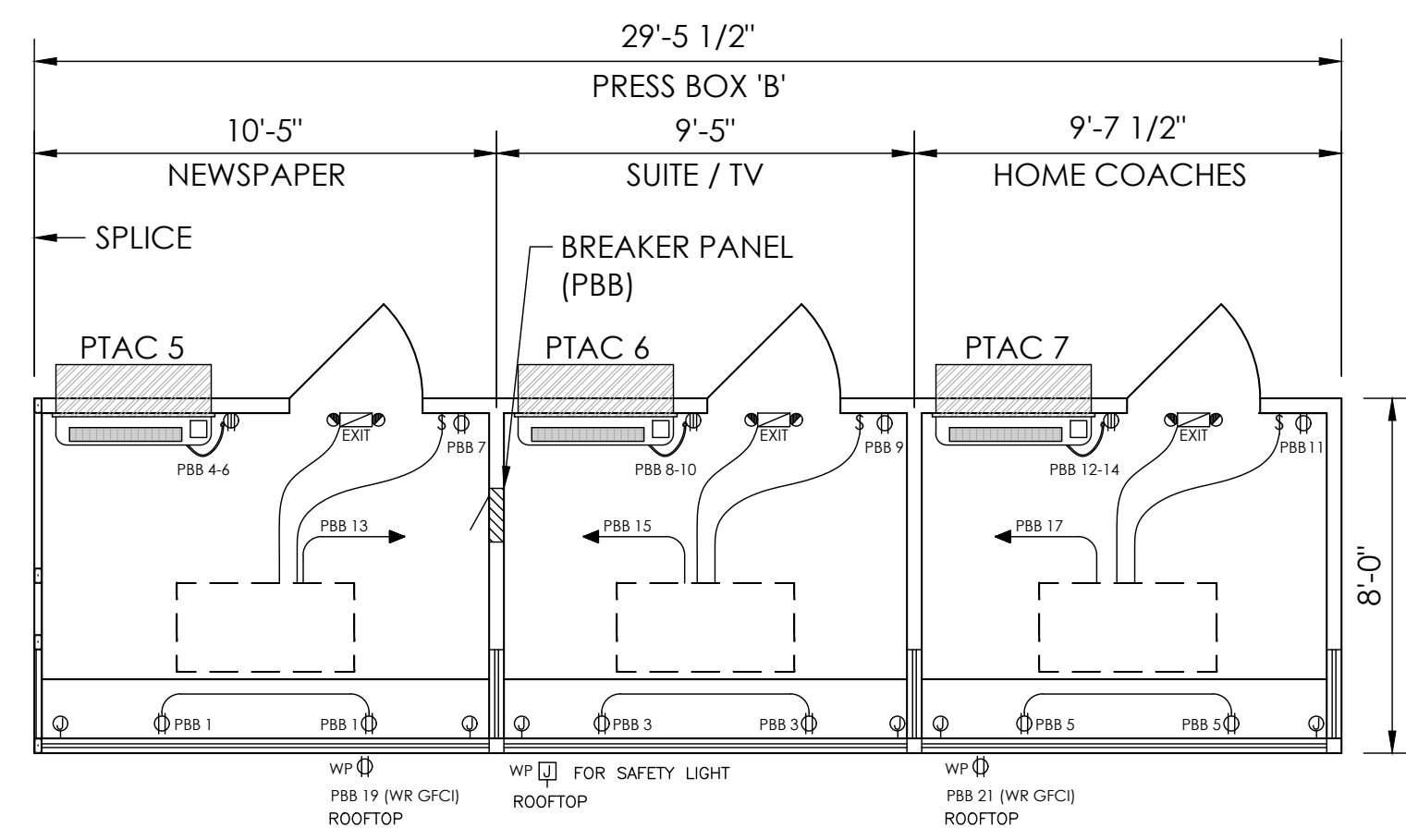
JOB NUMBER: 18SD171

SHEET 4 OF 10

22 X 34" (1/16" = 1/2" indicated scale)



PRESSBOX "A" ELECTRICAL PLAN
SCALE: 1/4" = 1'-0"



PRESSBOX "B" ELECTRICAL PLAN
SCALE: 1/4" = 1'-0"

NOTES:
ROOF PLATE STEEL IS WELDED ON BOTH SIDES OF RAFTERS WITH 1-1/2" LONG 1/8" FILLET WELDS ON 12" CENTERS.

WALL PANELS ARE ATTACHED WITH #12 TEK SCREWS - 6" O.C. AT THE TOP AND BOTTOM OF THE PANELS AND 12" O.C. AT ANY INTERMEDIATE BRACE.

LAP SCREWS ARE PLACED AT EACH END OF THE PANELS, AT THE INTERMEDIATE SUPPORTS, AND AT THE MID POINT BETWEEN SUPPORTS (TEK #14)

FLOOR PLANK IS ATTACHED TO W10 X 12 WITH 2- 2" TEK SCREWS PER END OF PLANK AND AT INTERMEDIATE SUPPORTS.

PRESS BOX 'A' LOAD CENTER SCHEDULE G.E. TLM30412C OR EQUAL

PANEL PBA 125A - 30 CIRCUIT W/ EQUIPMENT GROUND 240/120 VOLTS 3 PH. 4 W
MOUNTING: FLUSH SURFACE 125 AMP MAIN BREAKER

CIR.	BREAKER SIZE POLE	#	BUS			CIR.	BREAKER SIZE POLE	#	DESCRIPTION
			A	B	C				
2	20	1				20	1	SPARE	
2	20	1				4	20	PTAC UNIT #1	
2	20	1				6	20	PTAC UNIT #1	
2	20	1				8	20	PTAC UNIT #2	
2	20	1				10	20	PTAC UNIT #2	
2	20	1				12	20	PTAC UNIT #3	
2	20	1				14	20	PTAC UNIT #3	
2	20	1				16	20	PTAC UNIT #4	
2	20	1				18	20	PTAC UNIT #4	
2	20	1				20	20	SPARE	
LIGHTS	20	1				22		SPACE	
LIGHTS	20	1				24		SPACE	
LIGHTS	20	1				26		SPACE	
WP DUPLEX RECPT GFCI ROOFTOP	20	1				28		SPACE	
WP DUPLEX RECPT GFCI ROOFTOP	20	1				30		SPACE	

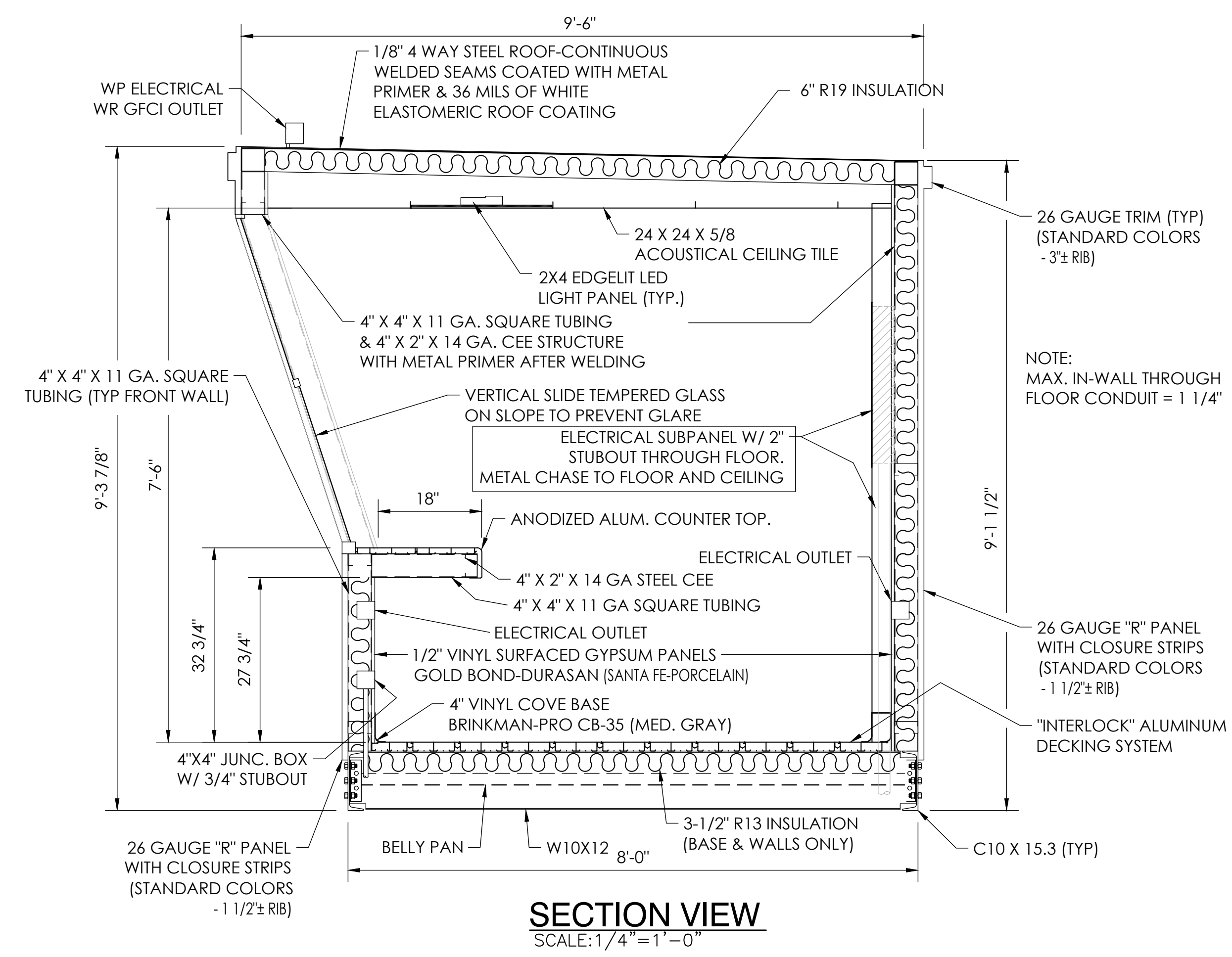
- 250V. SINGLE POWER RECPT. (20A.) NEMA 6-20R
- 20A. 125V. DUPLEX RECPT. (GFCI WHERE NOTED)
- 20A. 125V. SINGLE POLE DECORATOR STYLE SWITCH OS - WITH MANUAL ON/OFF OCCUPANCY SENSOR
- 4X4X2 1/8" JUNCTION BOX W/ 3/4" C STUBOUT UNDER FLOOR WP ON ROOF STUBBED INTO CEILING SPACE FOR USE BY OTHERS
- 4X2' EDGELIT LED PANEL LIGHT RAB LIGHTING EZPAN2X4-40N/D10 0.33A @ 120V INPUT WATTS: 39W
- BATTERY BACK UP EMERGENCY/EXIT LIGHT CONNECT TO LIGHT CIRCUIT AHEAD OF SWITCH. NEC 700.12 (F)
- 12,000 BTU COOL/12,000 BTU HEAT 5.6 A. COOL/15.4 A. HEAT - 208/230V. AMANA # PTIC123E35AXXX OR EQUAL

PRESS BOX 'B' LOAD CENTER SCHEDULE G.E. TLM30412C OR EQUAL

PANEL PBB 125A - 30 CIRCUIT W/ EQUIPMENT GROUND 240/120 VOLTS 3 PH. 4 W
MOUNTING: FLUSH SURFACE 125 AMP MAIN BREAKER

CIR.	BREAKER SIZE POLE	#	BUS			CIR.	BREAKER SIZE POLE	#	DESCRIPTION
			A	B	C				
2	20	1				2	20	1	SPARE
2	20	1				4	20		PTAC UNIT #5
2	20	1				6	20		PTAC UNIT #5
2	20	1				8	20		PTAC UNIT #6
2	20	1				10	20		PTAC UNIT #6
2	20	1				12	20		PTAC UNIT #7
2	20	1				14	20		PTAC UNIT #7
2	20	1				16	20	1	SPARE
LIGHTS	20	1				18			SPACE
LIGHTS	20	1				20			SPACE
WP DUPLEX RECPT GFCI ROOFTOP	20	1				22			SPACE
WP DUPLEX RECPT GFCI ROOFTOP	20	1				24			SPACE
SPACE						26			SPACE
SPACE						28			SPACE
SPACE						30			SPACE

CONDUIT WILL BE 1/2" EMT, 1/2" STEELFLEX, OR SURFACE RACEWAY UNLESS OTHERWISE NOTED
WIRING ON 20A BREAKERS WILL BE #12 = THWN - THHN
EQUIPMENT GROUND RUN IN ALL CONDUITS OR NON-METALLIC SURFACE RACEWAYS
PANEL FEEDER, NEUTRAL BONDING, AND GROUNDING TO BE ACCORDING TO APPLICABLE CODES ADOPTED BY THE LOCAL AHJ ON SITE BY ELECTRICAL CONTRACTOR.
PANEL BONDED TO METAL BUILDING FRAME BY PRESS BOX MANUF.



SECTION VIEW
SCALE: 1/4" = 1'-0"

PRESS BOX EXTERIOR COMPONENTS COLOR SELECTION SCHEDULE
PLEASE MARK COLOR SELECTIONS FOR EACH MATERIAL ITEM ON THIS SCHEDULE.

MATERIALS	STANDARD COLORS			
	"R" PANEL	ROOF TRIM	WINDOW TRIM	DOOR EXTERIOR
WHITE				
BRONZE				
TAN				
SILVER				
HAWAIIAN BLUE				
CRIMSON RED				
FERN GREEN				
BURNISHED SLATE				
POLAR WHITE				
ASH GREY				
SADDLE TAN				
DESERT SAND				
KOKO BROWN				
SOLAR WHITE				
CHARCOAL GREY				
COBALT BLUE				
RUSTIC RED				
LIGHT STONE				
MEDIUM BRONZE				
SNOW WHITE				
SLATE GRAY				
ALMOND				
CLASSIC GREEN				
BROWNSTONE				
BRITE RED				
HARBOR BLUE				
BONE WHITE				
COAL BLACK				
ORANGE				

NOT FOR CONSTRUCTION

DETAIL NUMBER 10
SHEET SHOWN ON 3
SHEET CUT FROM

PO Box One, Graham, Texas 76450
801 Fifth Street.
Phone: 940/549-0733 Fax: 940/549-1365
ESTABLISHED 1946

Southern
BLEACHER COMPANY
GRANDSTANDS • BLEACHERS • STADIUMS

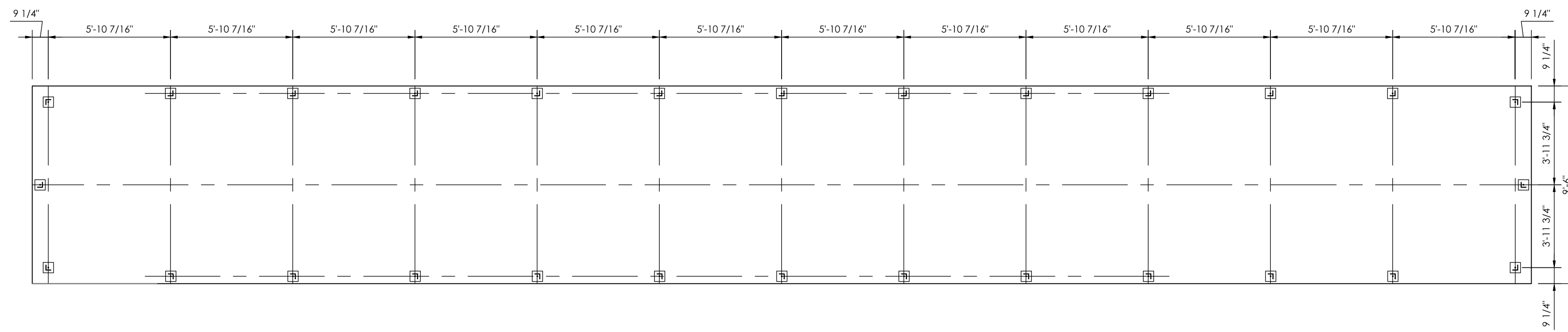
PRESS BOX SHEET 1 - HOME
8'-0" X 72'-0" PRESS BOX

GREENWICH HIGH SCHOOL
CARDINAL STADIUM
GREENWICH, CONNECTICUT

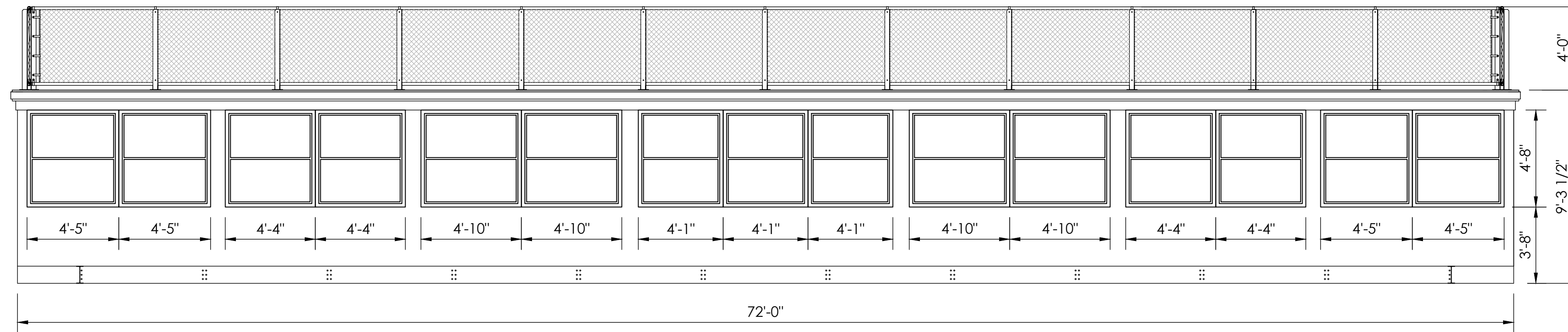
DATE: 8/7/18
DRAWN: WMS
CHECKED: CC

JOB NUMBER: 18SD171
SHEET 5 OF 10

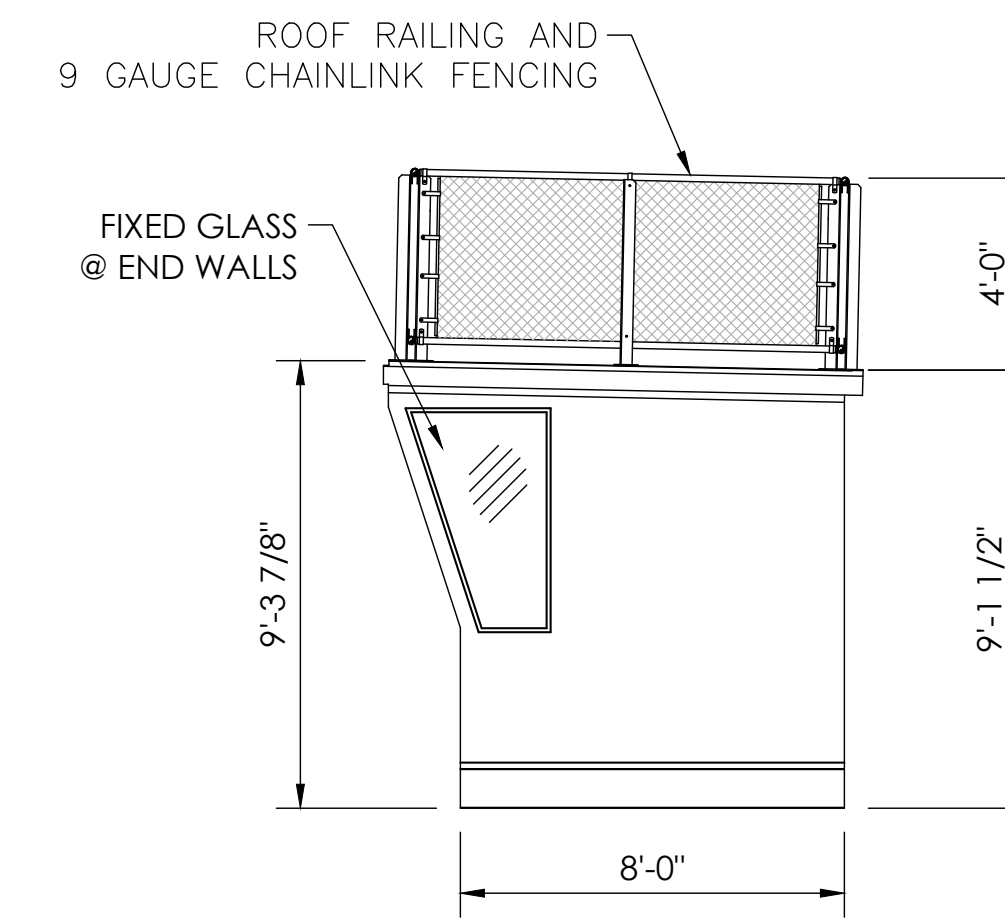
22 X 34" (1/4" = 1/2" indicated scale)



ROOF RAIL LAYOUT
SCALE: 1/4" = 1'-0"



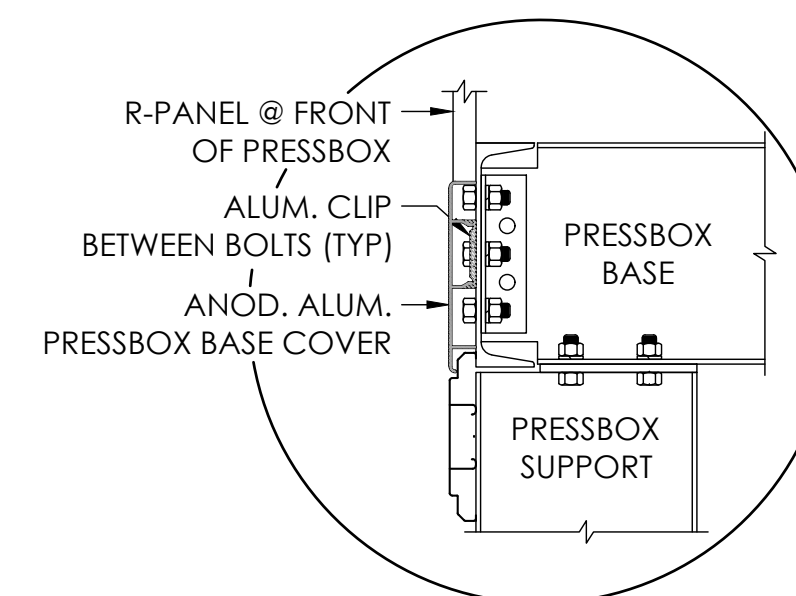
FRONT ELEVATION
SCALE: 1/4" = 1'-0"



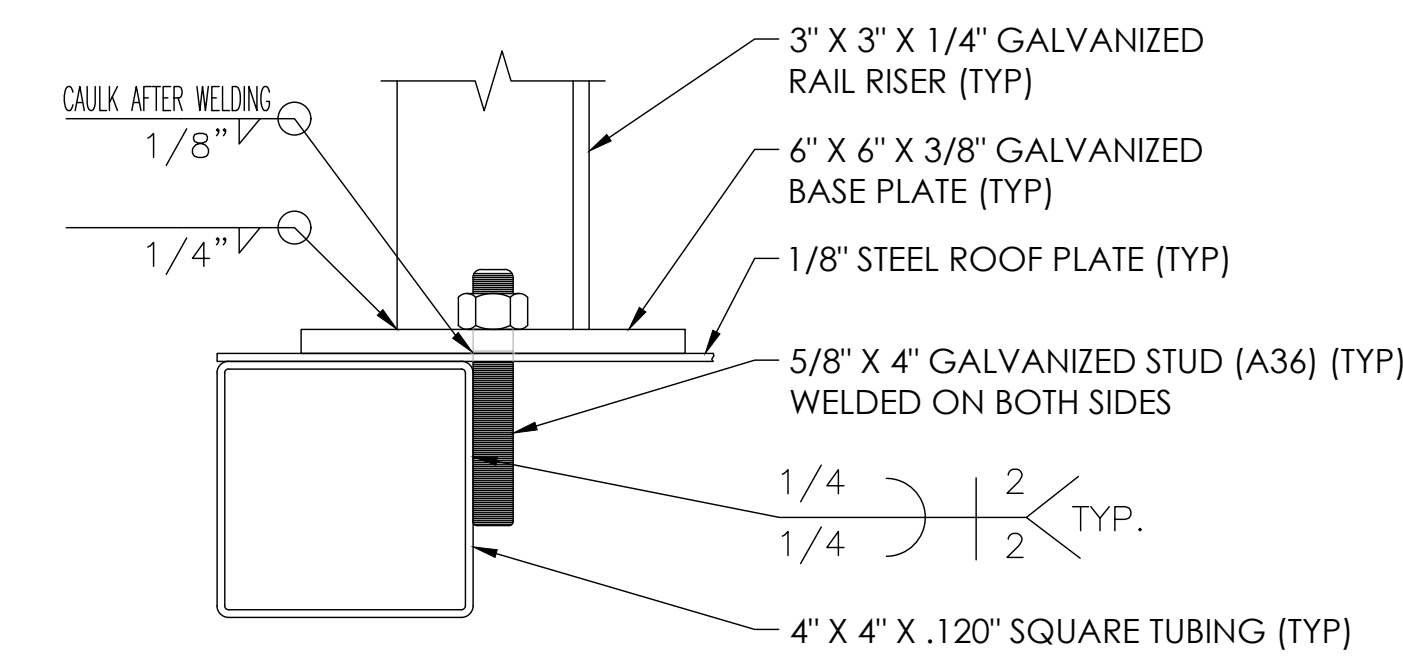
SIDE VIEW
SCALE: 1/4" = 1'-0"

PRESS BOX EXTERIOR COMPONENTS
COLOR SELECTION SCHEDULE
PLEASE MARK COLOR SELECTIONS FOR
EACH MATERIAL ITEM ON THIS SCHEDULE.

MATERIALS	STANDARD COLORS				
	7" PANEL	ROOF TRIM	WINDOW TRIM	DOOR TRIM	DOOR EXTERIOR
WINDOW FRAMES					
WHITE					
BRONZE					
TAN					
SILVER					
HAWAIIAN BLUE					
CRIMSON RED					
FERN GREEN					
BURNISHED SLATE					
POLAR WHITE					
ASH GREY					
SADDLE TAN					
DESERT SAND					
KOKO BROWN					
SOLAR WHITE					
CHARCOAL GREY					
COBALT BLUE					
RUSTIC RED					
LIGHT STONE					
MEDIUM BRONZE					
SNOW WHITE					
SLATE GRAY					
ALMOND					
CLASSIC GREEN					
BROWNSTONE					
BRITE RED					
HARBOR BLUE					
BONE WHITE					
COAL BLACK					
ORANGE					



PRESSBOX BASE TRIM DETAIL
NOT TO SCALE



ROOF RAIL ATTACHMENT
NOT TO SCALE

DETAIL NUMBER
10
SHEET SHOWN ON
3
SHEET CUT FROM

NOT FOR CONSTRUCTION

THIS DRAWING AND ALL INFORMATION THEREON IS THE PROPERTY OF THE SOUTHERN BLEACHER COMPANY AND IS CONFIDENTIAL AND MUST NOT BE MADE PUBLIC OR COPIED. THIS DRAWING IS LOANED SUBJECT TO RETURN UPON DEMAND AND IS NOT TO BE USED DIRECTLY OR INDIRECTLY IN ANY WAY DETRIMENTAL TO OUR INTERESTS.

PO Box One, Graham, Texas 76450
801 Fifth Street.
Phone: 940/549-0733 Fax: 940/549-1365
ESTABLISHED 1946

Southern
BLEACHER COMPANY
GRANDSTANDS • BLEACHERS • STADIUMS

PRESS BOX SHEET 2 - HOME
8'-0" X 72'-0" PRESS BOX

GREENWICH HIGH SCHOOL
CARDINAL STADIUM
GREENWICH, CONNECTICUT

REV	BY	DATE	DESCRIPTION
1	WMS	8/7/18	ISSUE FOR PERMIT
2	CC		CHECKED

JOB NUMBER
18SD171

SHEET
6

OF
10

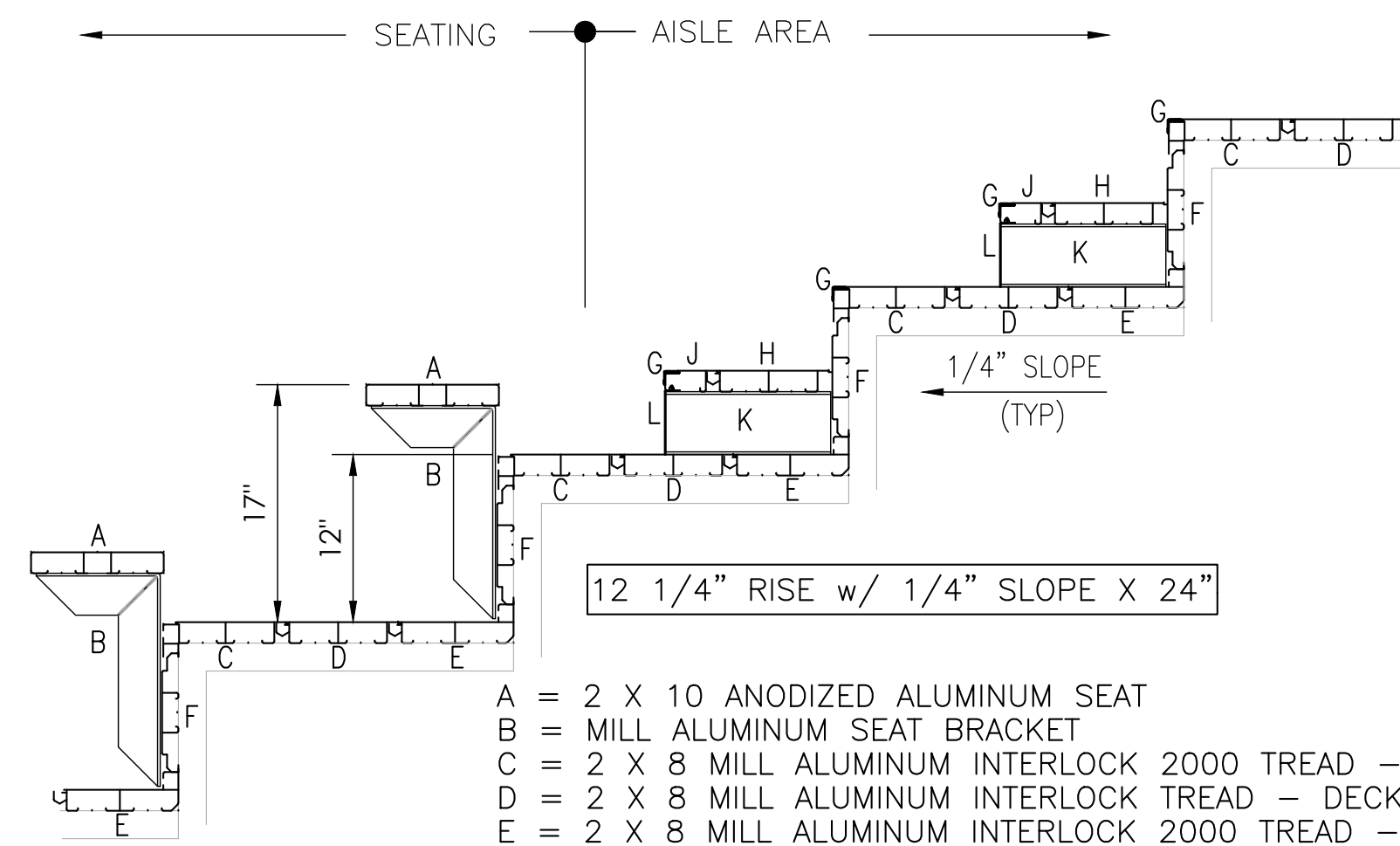
22 X 34" (1 X 17" = 1/2" indicated scale)

DESIGN LOADING

TREAD & SEAT AREA 100psf UNIFORM LIVE LOAD.
 SEAT (VERTICAL) 120 lbs/lf.
 SEAT (HORIZONTAL SWAY) 24lbs/lf PARALLEL AND 10lbs/lf PERPENDICULAR TO SEAT.
 HANDRAIL & GUARDRAIL 50 lbs/lf IN ANY DIRECTION.
 HANDRAIL & GUARDRAIL 200 lbs CONCENTRATED IN ANY DIRECTION.
 SNOW LOADS AS PER STATE ADOPTED CODE
 WIND LOADS AS PER STATE ADOPTED CODE
 SEISMIC LOADS AS PER STATE ADOPTED CODE

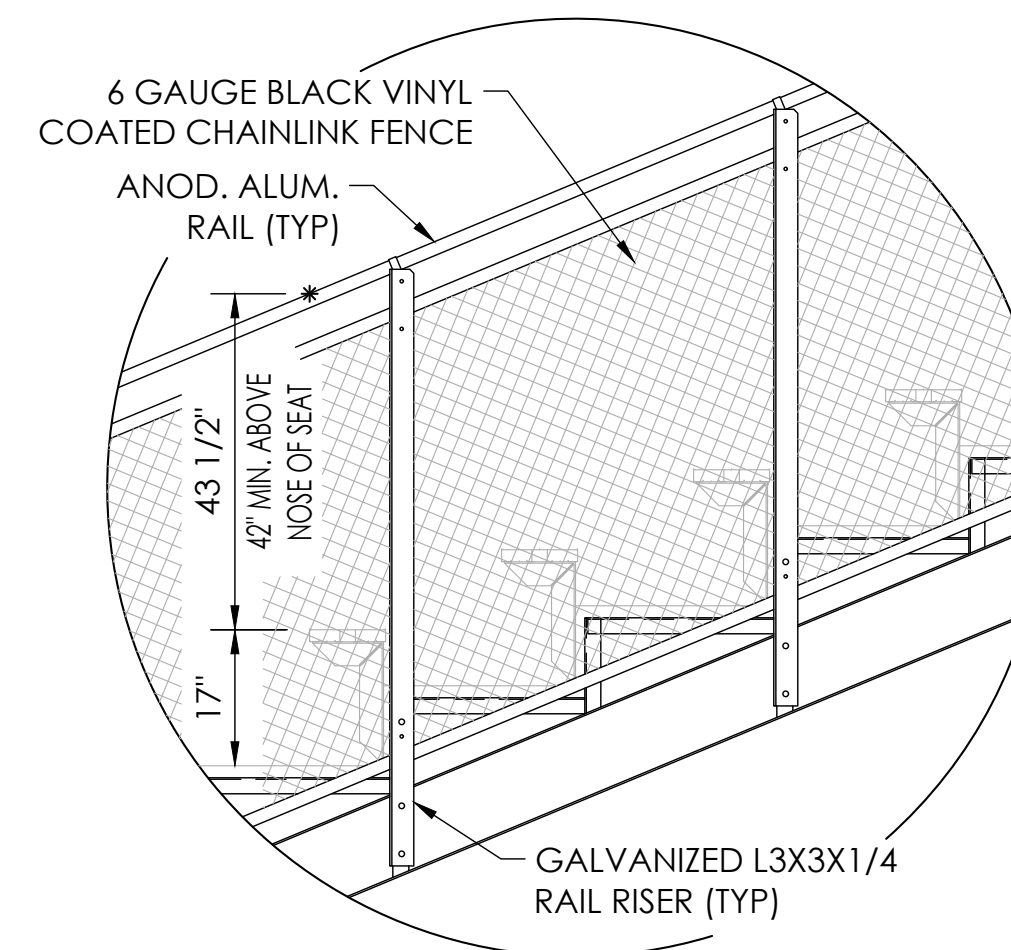
NOTES

- 1 ALL STRUCTURAL AND MISCELLANEOUS STEEL SHALL CONFORM TO THE FOLLOWING A.I.S.C. STANDARDS
 PLATE UP TO 1/2" THICK = A36
 PLATE U.N.O. = A572 GRADE 50
 ANGLE = A36/A36M GRADE 50
 WIDE FLANGE = A992 Fy=50 ksi
 CHANNEL = A36/A36M GRADE 50
 ROD = A36/A529 GRADE 50
 TUBE = A500 GRADE "B" 46 ksi
- 2 WELDS ARE ALL AROUND WITH TYPE ER70S-6 WIRE MIG.
- 3 ALL STEEL TO BE HOT DIPPED GALVANIZED TO A.S.T.M. A-123-89 ae1.
- 4 STRUCTURAL BOLTS ARE HOT DIPPED GALV. AND ARE EQUAL TO OR GREATER THAN A-307.
- 5 NO CONNECTIONS UTILIZING HIGH STRENGTH BOLTS ARE CLASSIFIED AS SLIP CRITICAL.
- 6 ANODIZED ALUMINUM RAIL IS 1 1/4" NOMINAL PIPE SIZE. (1 5/8" O.D.)
- 7 SOUTHERN BLEACHER COMPANY AS A MANUFACTURER AND INSTALLER OF GRANDSTAND SEATING IS NOT AUTHORIZED TO CERTIFY PLANS AS ADA COMPLIANT. HOWEVER, TO THE BEST OF OUR KNOWLEDGE THESE PLANS MEET OR EXCEED ADA REQUIREMENTS FOR QUANTITY OF ADA SEATING, ACCESS/EGRESS TO ADA SEATING, & DISPERSAL OF ADA SEATING.

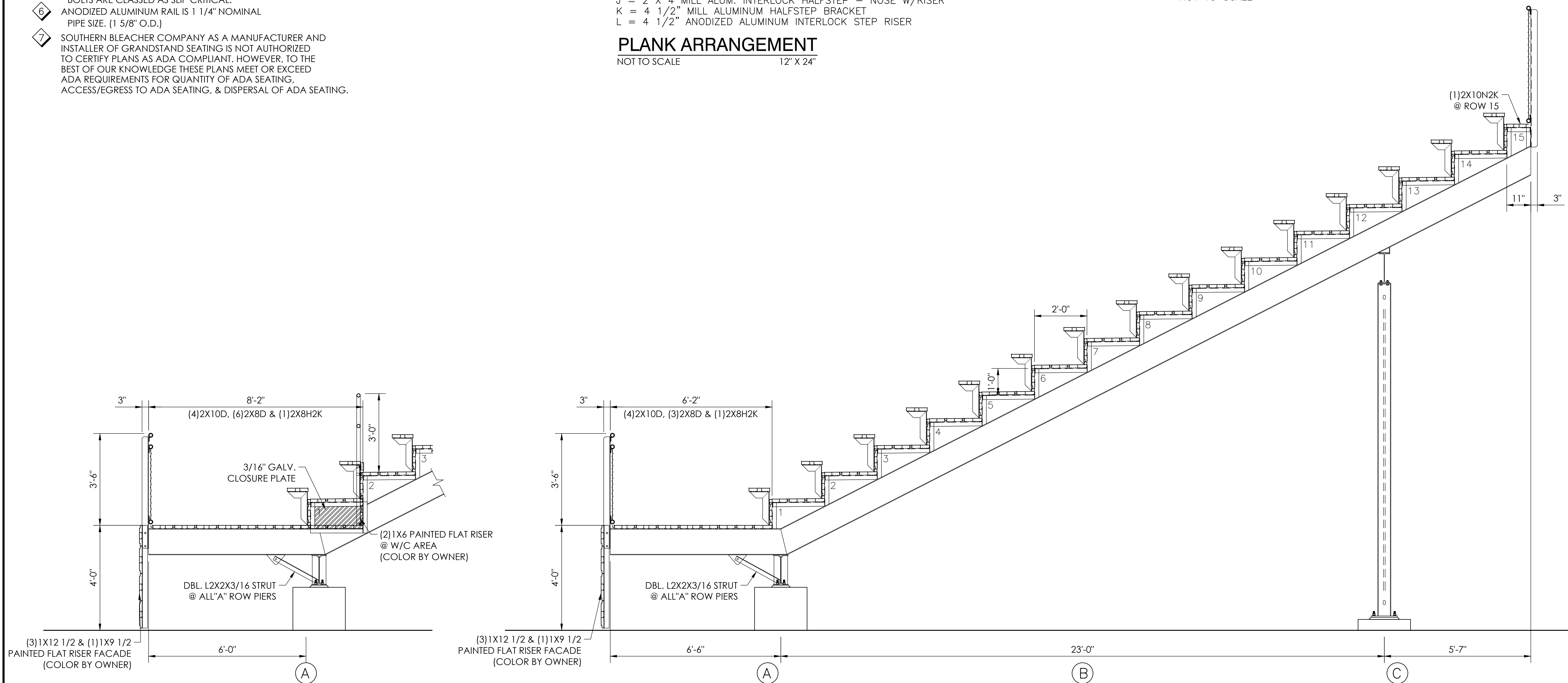


- A = 2 X 10 ANODIZED ALUMINUM SEAT
- B = MILL ALUMINUM SEAT BRACKET
- C = 2 X 8 MILL ALUMINUM INTERLOCK 2000 TREAD - NOSE
- D = 2 X 8 MILL ALUMINUM INTERLOCK TREAD - DECK
- E = 2 X 8 MILL ALUMINUM INTERLOCK 2000 TREAD - HEEL
- F = 1 X 8 1/2 PAINTED ALUMINUM FLAT RISER
- G = 1 X 1 PAINTED ALUMINUM CONTRASTING NOSING (BLACK)
- H = 2 X 8 MILL ALUM. INTERLOCK HALFSTEP - DECK
- J = 2 X 4 MILL ALUM. INTERLOCK HALFSTEP - NOSE W/RISER
- K = 4 1/2" MILL ALUMINUM HALFSTEP BRACKET
- L = 4 1/2" ANODIZED ALUMINUM INTERLOCK STEP RISER

PLANK ARRANGEMENT
 NOT TO SCALE 12' X 24'



TYPICAL SIDE RAILING
 NOT TO SCALE



SECTION VIEW @ W/C AREA - VISITOR
 SCALE: 1/2" = 1'-0"

SECTION VIEW - VISITOR
 SCALE: 1/2" = 1'-0"

NOT FOR CONSTRUCTION

DETAIL NUMBER 10
 SHEET SHOWN ON 3
 SHEET CUT FROM

THIS DRAWING AND ALL INFORMATION THEREON IS THE PROPERTY OF THE SOUTHERN BLEACHER COMPANY AND IS CONFIDENTIAL AND MUST NOT BE MADE PUBLIC OR COPIED. THIS DRAWING IS LOANED SUBJECT TO RETURN UPON DEMAND AND IS NOT TO BE USED DIRECTLY OR INDIRECTLY IN ANY WAY DETRIMENTAL TO OUR INTERESTS.

PO Box One, Graham, Texas 76450
 801 Fifth Street.
 Phone: 940/549-0733 Fax: 940/549-1365
 ESTABLISHED 1946

Southern
 BLEACHER COMPANY
 GRANDSTANDS • BLEACHERS • STADIUMS

SECTION VIEW - VISITOR
 12 1/4" RISE X 24" TREAD / 15 ROWS

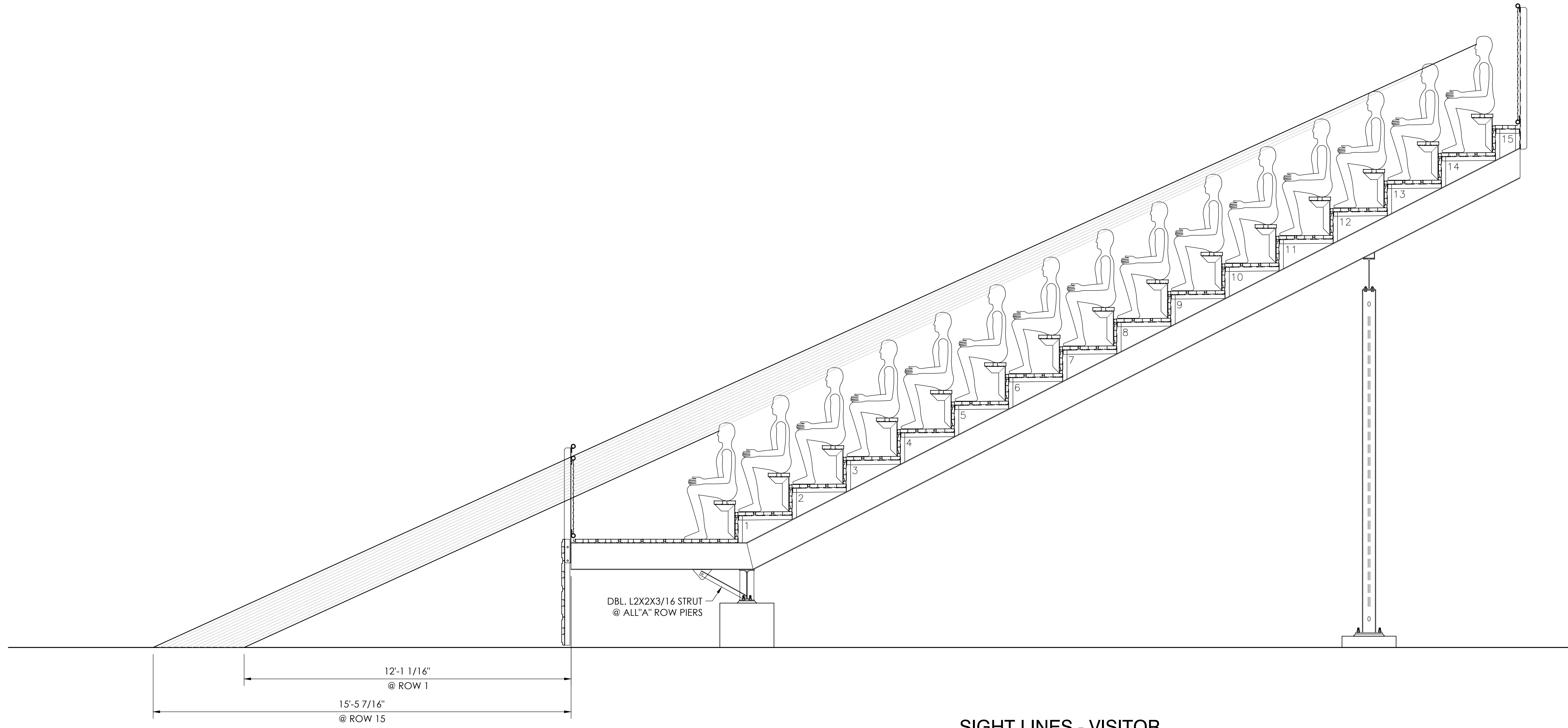
GREENWICH HIGH SCHOOL
 CARDINAL STADIUM
 GREENWICH, CONNECTICUT

REV	DATE	DESCRIPTION

DATE: 8/7/18
 DRAWN: WMS
 CHECKED: CC

JOB NUMBER: 18SD171
 SHEET: 7 OF 10

22 X 34" (1/2" = 1/2" indicated scale)



DBL. L2X2X3/16 STRUT
@ ALL 'A' ROW PIERS

SIGHT LINES - VISITOR
SCALE: 1/2" = 1'-0"

1 10
3 10
DETAIL NUMBER
SHEET SHOWN ON
SHEET CUT FROM

NOT FOR CONSTRUCTION

THIS DRAWING AND ALL INFORMATION THEREON IS THE PROPERTY OF THE SOUTHERN BLEACHER COMPANY AND IS CONFIDENTIAL AND MUST NOT BE MADE PUBLIC OR COPIED. THIS DRAWING IS LOANED SUBJECT TO RETURN UPON DEMAND AND, IS NOT TO BE USED DIRECTLY OR INDIRECTLY IN ANY WAY DETRIMENTAL TO OUR INTERESTS.

Southern
BLEACHER COMPANY
GRANDSTANDS • BLEACHERS • STADIUMS

PO Box One, Graham, Texas 76450
801 Fifth Street.
Phone: 940/549-0733 Fax: 940/549-1365
Established 1946

SIGHT LINES - VISITOR
12 1/4" RISE X 24" TREAD / 15 ROWS

GREENWICH HIGH SCHOOL
CARDINAL STADIUM
GREENWICH, CONNECTICUT

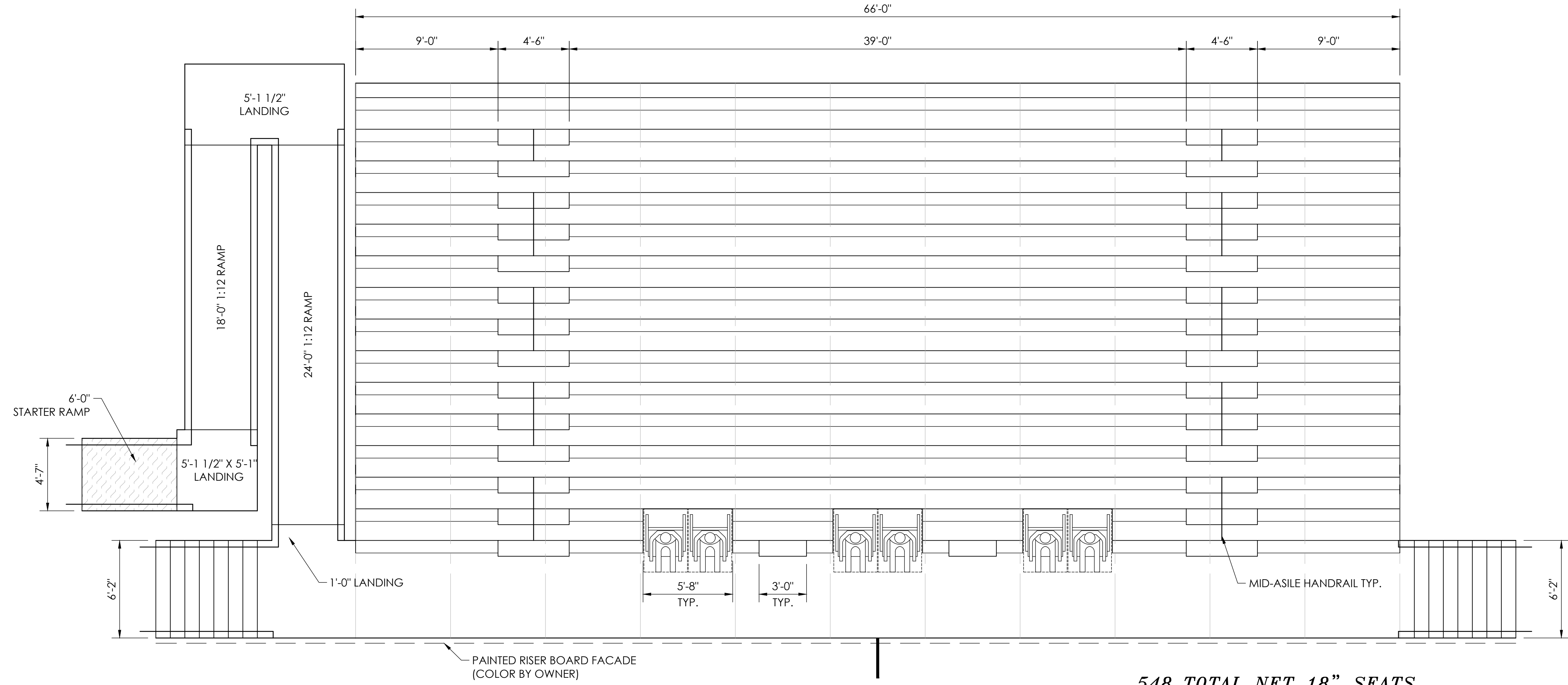
REV	BY	DATE	DESCRIPTION
1	WMS	8/7/18	CC

JOB NUMBER
18SD171

SHEET
8

OF
10

22 X 34" (1/2" = 1/2 indicated scale)



SEATING LAYOUT - VISITOR
SCALE: 1/4" = 1'-0"

548 TOTAL NET 18" SEATS
6 TOTAL NET 33" WHEELCHAIR SPACES
554 TOTAL SEATING CAPACITY

NOT FOR CONSTRUCTION

Southern
BLEACHER COMPANY
GRANDSTANDS • BLEACHERS • STADIUMS

PO Box One, Graham, Texas 76450
801 Fifth Street
Phone: 940/549-0733 Fax: 940/549-1365
Established 1946

DETAIL NUMBER
10
SHEET SHOWN ON
3
SHEET CUT FROM

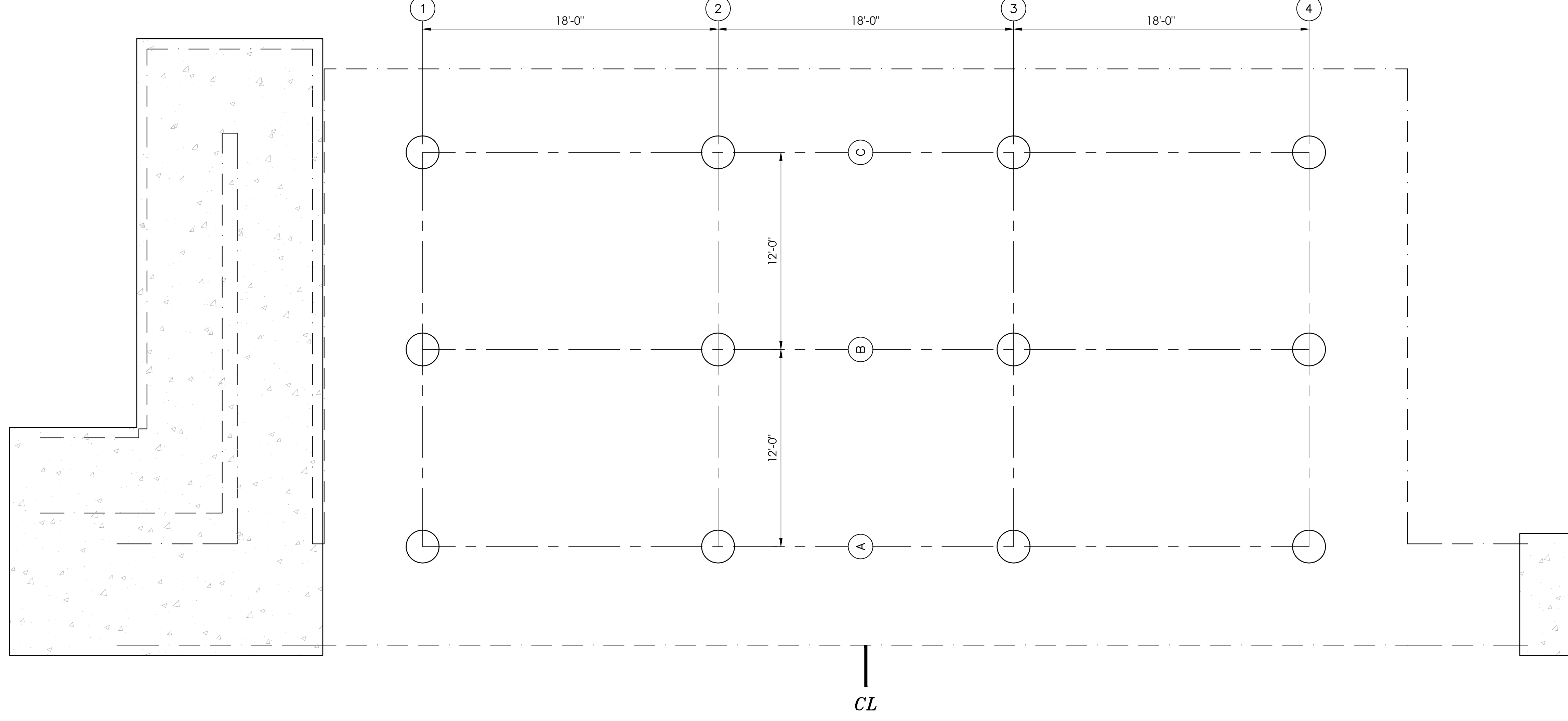
THIS DRAWING AND ALL INFORMATION THEREON IS THE PROPERTY OF THE SOUTHERN BLEACHER COMPANY AND IS CONFIDENTIAL AND MUST NOT BE MADE PUBLIC OR COPIED. THIS DRAWING IS LOANED SUBJECT TO RETURN UPON DEMAND AND, IS NOT TO BE USED DIRECTLY OR INDIRECTLY IN ANY WAY DETRIMENTAL TO OUR INTERESTS.

SEATING LAYOUT - VISITOR
24' TREAD X 15 ROWS / 66'-0" LENGTH

GREENWICH HIGH SCHOOL
CARDINAL STADIUM
GREENWICH, CONNECTICUT

REV	BY	DATE	DESCRIPTION
8	WMS	8/7/18	WMS
9	CC		CC
JOB NUMBER 18SD171			
SHEET 9		OF 10	

22" X 34" (1/4" = 1/2" indicated scale)



FOOTING LAYOUT - VISITOR
SCALE: 1/4" = 1'-0"



NOT FOR CONSTRUCTION

FOOTING LAYOUT - VISITOR
24" TREAD X 15 ROWS / 66'-0" LENGTH

REV.	BY	DATE	DESCRIPTION
1	WMS	8/7/18	ISSUED FOR PERMIT

JOB NUMBER: **18SD171**
SHEET **10** OF **10**

GREENWICH HIGH SCHOOL
CARDINAL STADIUM
GREENWICH, CONNECTICUT

Southern
BLEACHER COMPANY
GRANDSTANDS • BLEACHERS • STADIUMS
Established 1946

THIS DRAWING AND ALL INFORMATION THEREON IS THE PROPERTY OF THE SOUTHERN BLEACHER COMPANY AND IS CONFIDENTIAL AND MUST NOT BE MADE PUBLIC OR COPIED. THIS DRAWING IS LOANED SUBJECT TO RETURN UPON DEMAND AND IS NOT TO BE USED DIRECTLY OR INDIRECTLY IN ANY WAY DETRIMENTAL TO OUR INTERESTS.

22 X 34" (1/4" scale) = 1/2" indicated scale